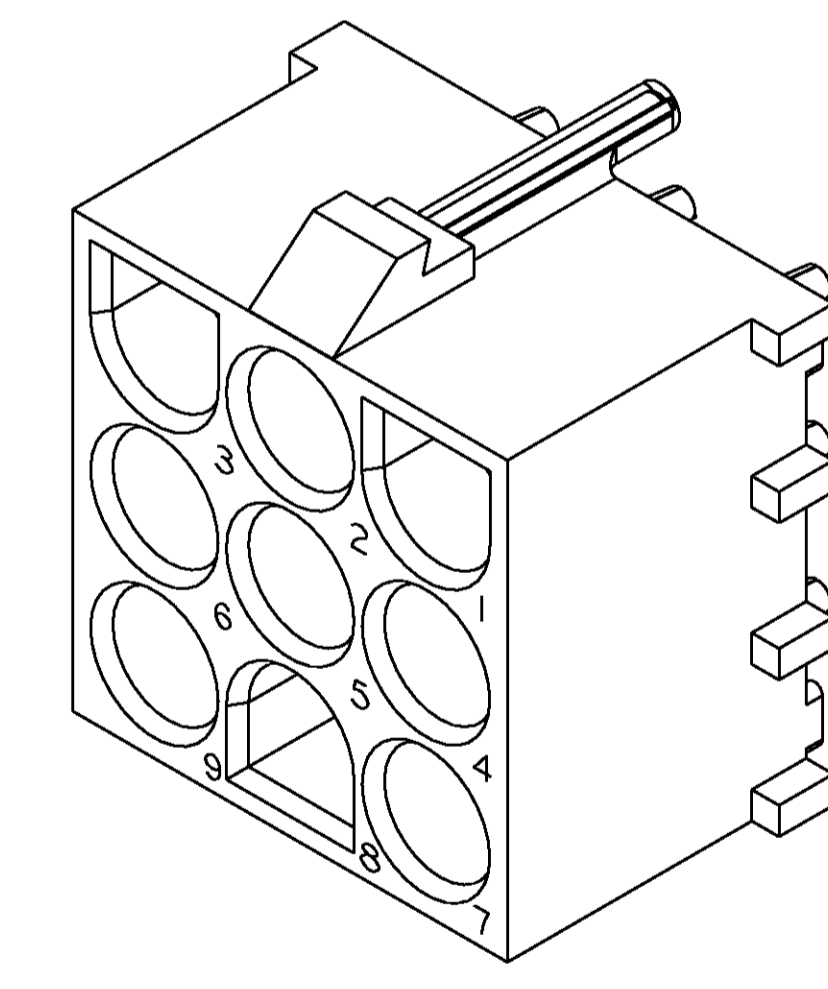
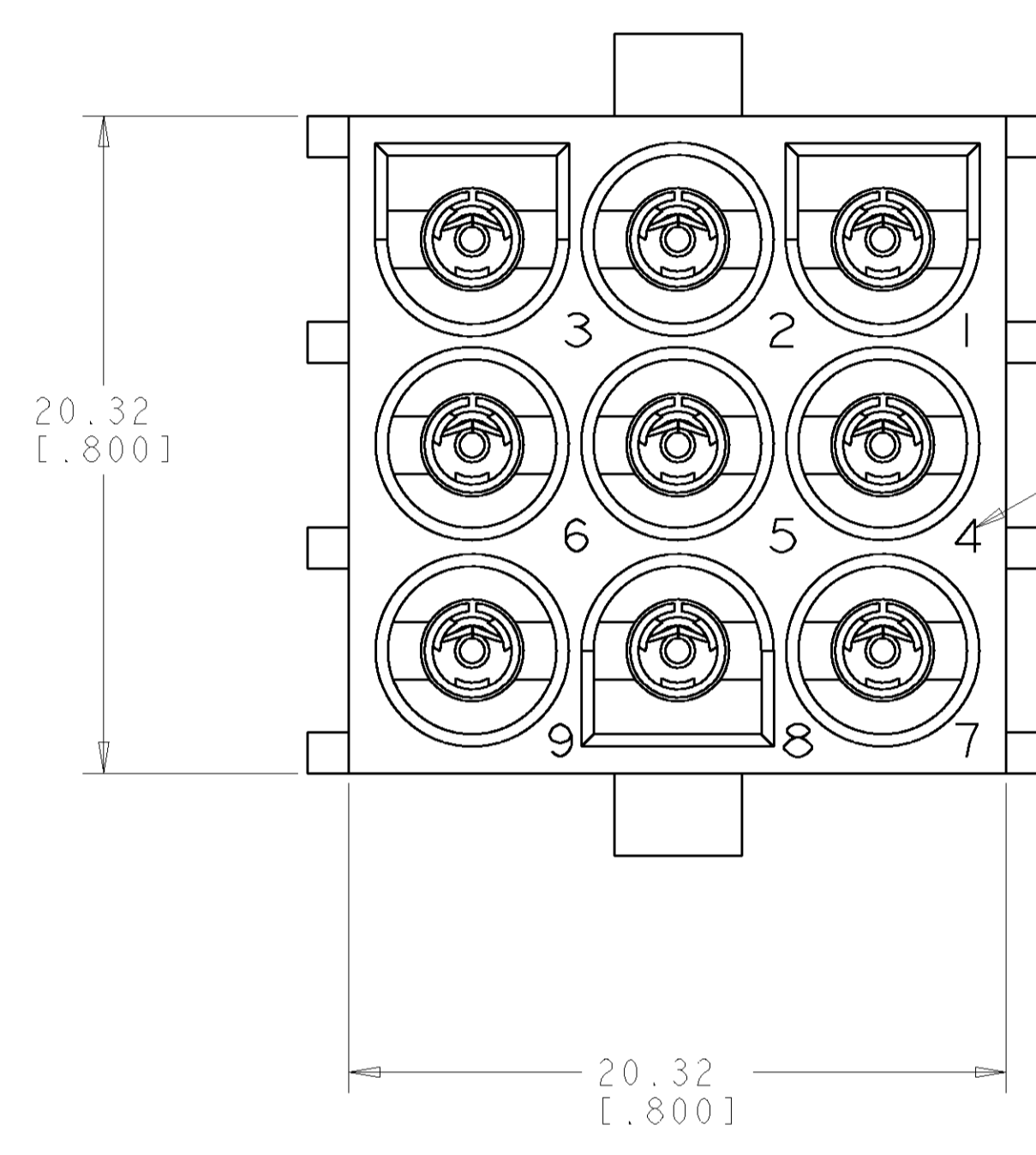
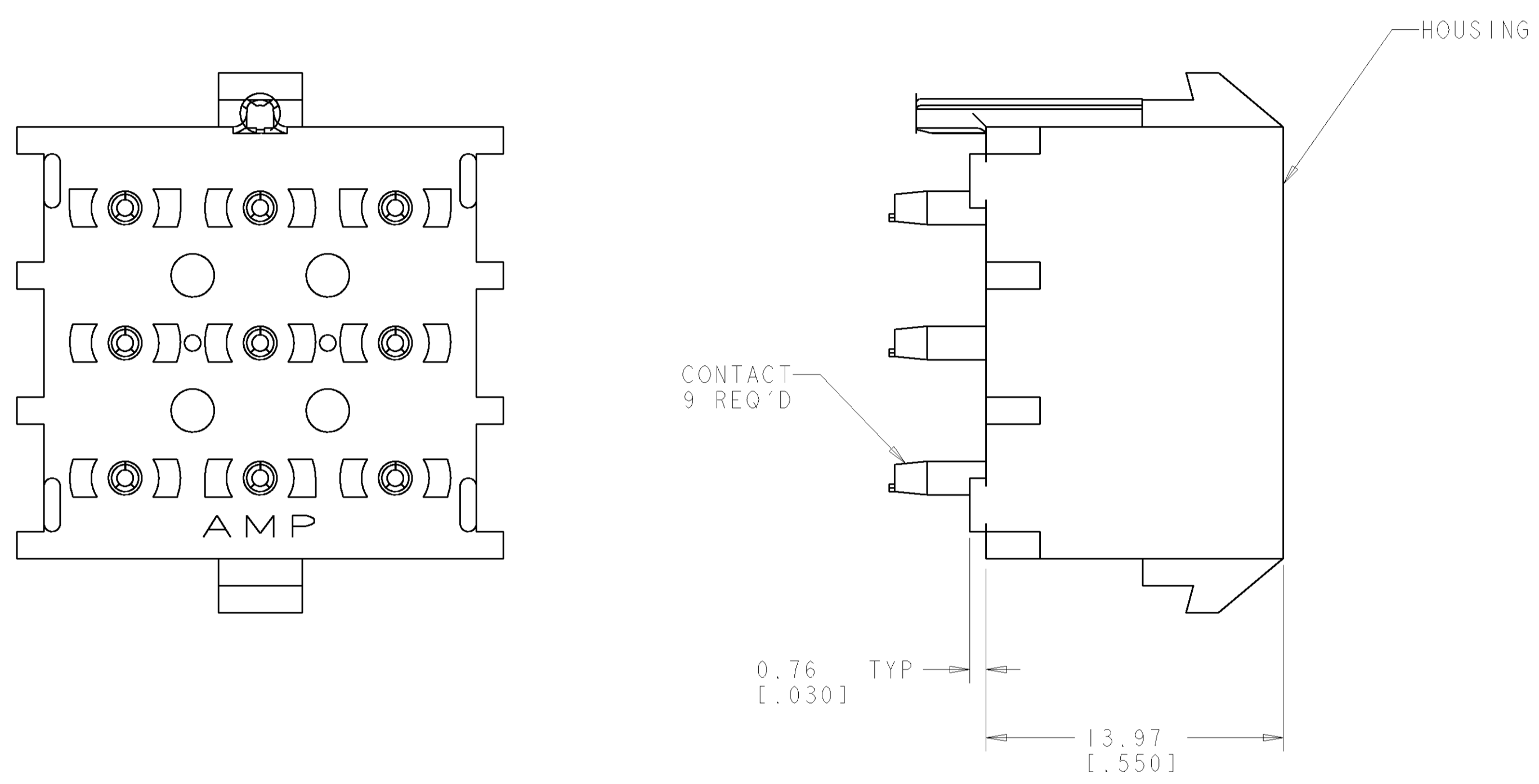
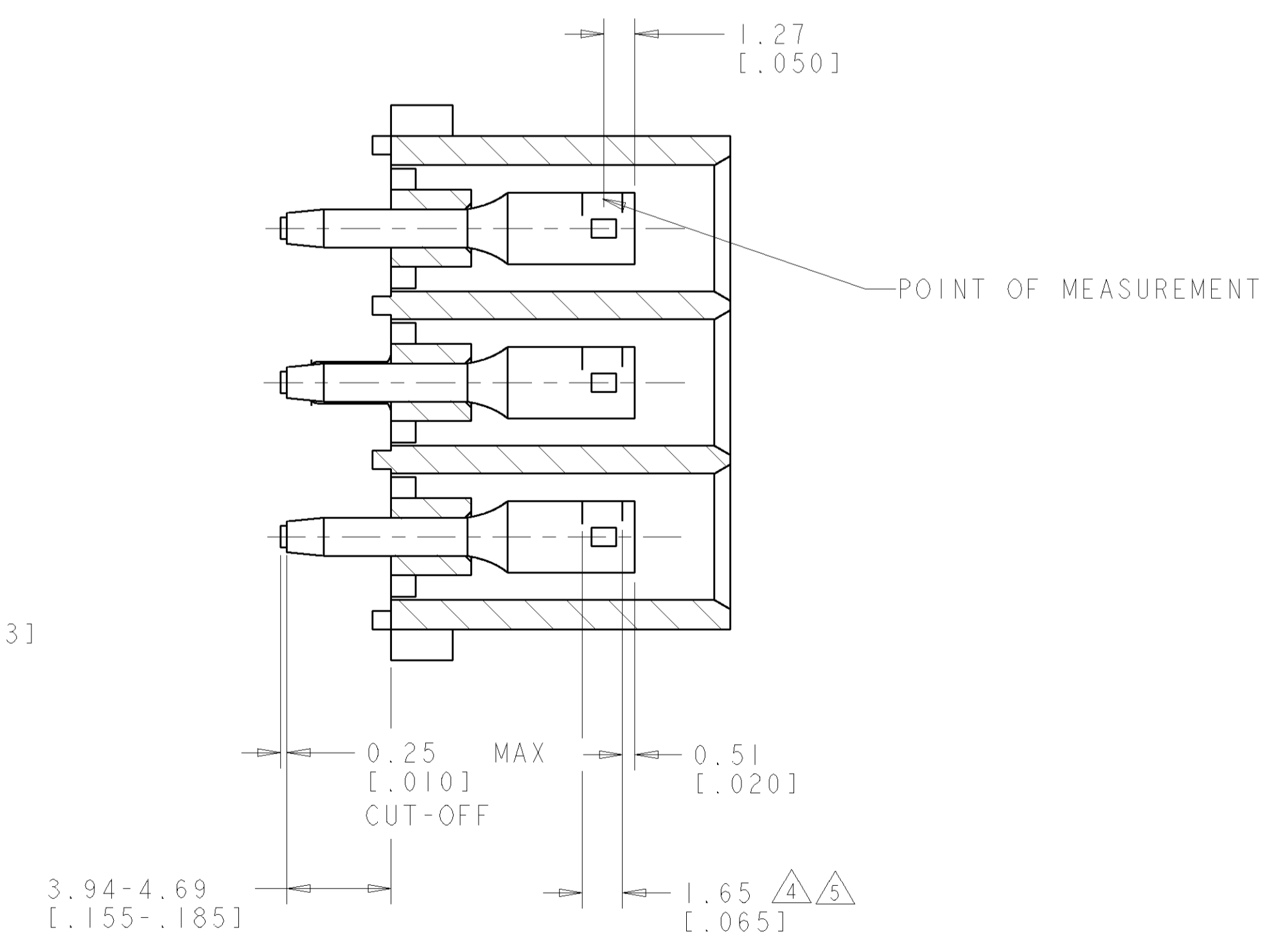
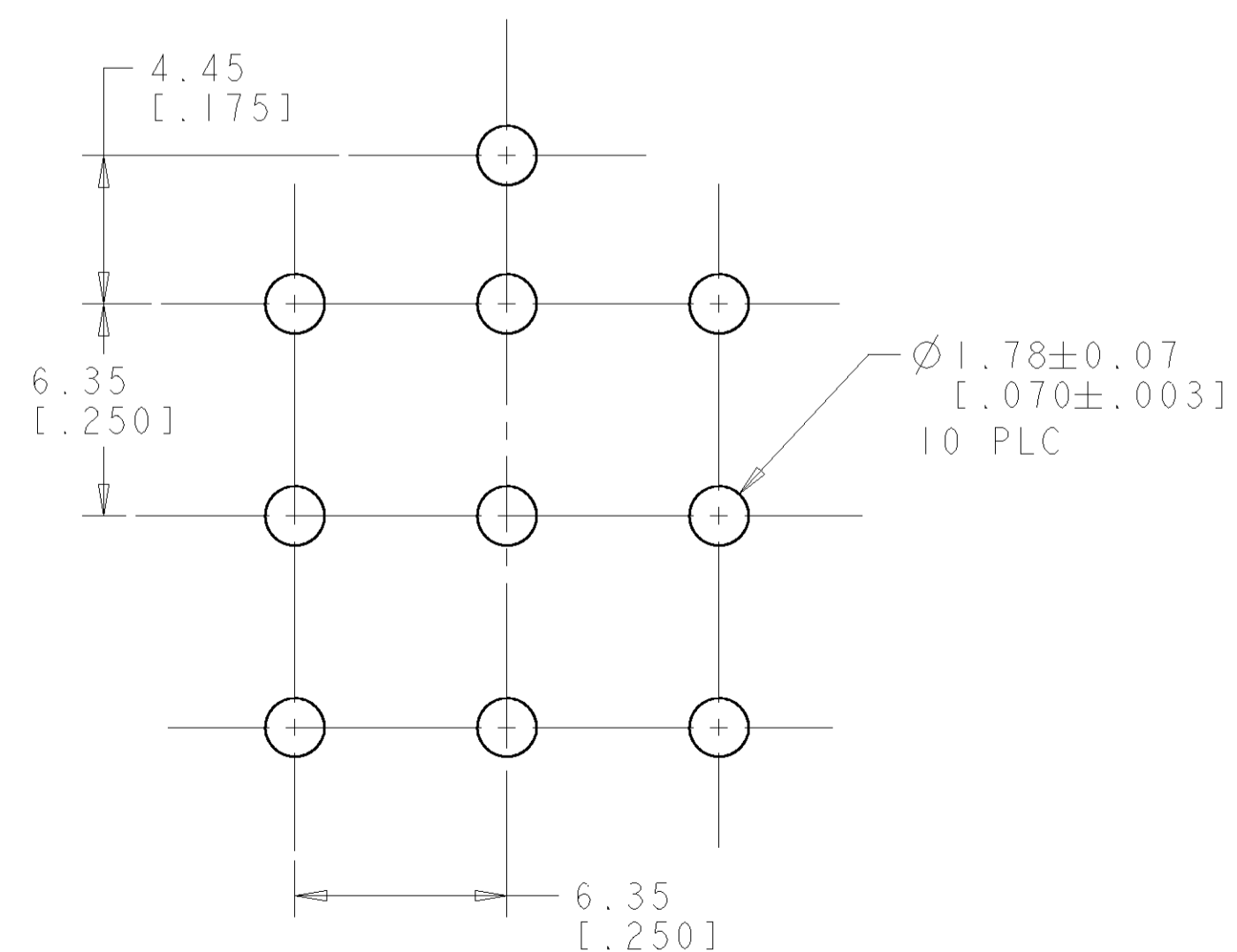


LOC	DIST	REVISIONS					
CM	00	P	LTR	DESCRIPTION	DATE	DWN	APVD
		K		REVISED PER 0638-0278-03	29-JUL-03	KW	SR
		L		REVISED PER 0638-1094-04	07FEB05	KW	SR

- PARTS COMPLY TO AMP SOLDERABILITY SPECIFICATION 109-11-3.
- CIRCUIT IDENTIFICATION CHARACTERS ARE ADJACENT TO THE INDICATED CAVITIES, BUT LOCATION AND ORIENTATION MAY DIFFER FROM PRINT.
- DIMENSIONS IN BRACKETS ARE IN INCHES.
- CONTACT IS STAMPED FROM PRE-PLATED STOCK WHICH IS PLATED OVERALL WITH 0.00127 [.000050] NICKEL; THEN STRIPED WITH 0.0076 [.000030] GOLD IN CONTACT AREA INDICATED AND MATTE TIN LEAD ON SOLDER TAIL END.
- CONTACT IS STAMPED FROM PRE-PLATED STOCK WHICH IS PLATED OVERALL WITH 0.00127 [.000050] NICKEL; THEN STRIPED WITH 0.0076 [.000030] GOLD IN CONTACT AREA INDICATED AND MATTE TIN ON SOLDER TAIL END.



3 DIMENSIONAL MODEL
SCALE 4:1



PIN CONTACT MATERIAL AND FINISH	HOUSING MATERIAL	PART NUMBER
PHOSPOR BRONZE, GOLD $\triangle 5$	NYLON, UL94V-0	643426-3
PHOSPOR BRONZE, GOLD $\triangle 4$	NYLON, UL94V-0	643426-2
PHOSPOR BRONZE, PRE-TIN	NYLON, UL94V-0	643426-1

DIMENSIONS: mm [INCHES]	TOLERANCES UNLESS OTHERWISE SPECIFIED: 0 PLC ± 1 PLC ± 2 PLC ±0.13(.005) 3 PLC ± 4 PLC ± ANGLES ± FINISH SEE TABLE	DWN H. WHITAKER 29-JUL-2003 CHK S. RIDGILL 29-JUL-2003 APVD S. RIDGILL 29-JUL-2003 PRODUCT SPEC APPLICATION SPEC WEIGHT CUSTOMER DRAWING	Tyco Electronics Harrisburg, PA 17105-3608 NAME HEADER ASSEMBLY, SOCKET, POLARIZED, 9 CIRCUIT, UNIVERSAL MATE-N-LOK™ SIZE CAGE CODE DRAWING NO. RESTRICTED TO A1 00779 C=643426 SCALE 5:1 SHEET 1 OF 1 REV L
----------------------------	---	--	--

